

# Automatic Veterinary Syringes

## ThaMa 214 Automatic Double Syringe

**2 different dosages of various vaccines in one shot  
with different pistons 0.5cc, 1cc, 1.5cc, 2.0cc**



### Instructions:

**ThaMa 214** Double Syringe with special connector to Vial Holder as well as feeding bottle is precious, reliable and accurate vaccinator.

**ThaMa 214** vaccinates two different dosages of various vaccines in one shot and has especial bridge 2 to 1 Needle.

### Choose the injection system you need:

#### Vial Holder:

1. Remove the black plastic clip.
2. Insert the vial to the vaccine bottle and push it down.
3. Return the plastic clip back – connect the vial holder to the syringe.

**Pay attention that the black plastic clip is properly set!**

#### Feeding Bottle:

1. Connect the feeding bottle to the syringe.
2. To fill the feeding bottle, just remove the “rear red stopper”.
3. Fill the feeding bottle with the vaccine needed.
4. Now start working.
5. To refill the feeding bottle, just remove the rear red stopper.
6. For cleaning: fill with water and pump.

### How to set the dose:

1. Unscrew the banding screw (#26) and pull out the syringe.
2. Unscrew the body cover (#13) and pull out from the body (#01).
3. Insert the key-pin (#20) into the hole on the piston.
4. Hold the top nut with tool and unscrew it out.
5. Take the spring (#15) and the body cover (#13) and put them on the new piston (#11) with the measure you need.
6. Replace the cover body, spring and the screw nut M4 (#32) in order.
7. Tight the screw nut (#32): insert the key-pin into the hole on the piston and tight gently with tool.
8. Put the syringe back in its housing (#25) (make sure that the top nut is in its hole at the piston shove) and screw the banding screw (#26) tightly.

**Make sure that you set the dosage in both syringes.**

### How to set the bridge 2 to 1 needle (#27):

1. Unscrew the needle adapter #02 from both syringes, (take care of the springs and the valves).
2. Insert the springs (#05) into the bridge and the valve in right position (valve in the body and spring in the bridge).
3. Close the 2 “bridge covers” upon the syringes and tight them gently.

### Care and Maintenance after Use:

On the end of every vaccination day:

1. Dismount the needles from the syringes.
2. Take out the syringe from the syringe housing (unscrew #26).
3. Open the body cover and wash it, open the luer lock needle adapter and the valve housing – wash them in clear water.
4. Before using again, verify that all the parts are in their place and put a drop of castor oil (supplied) on the O-ring.

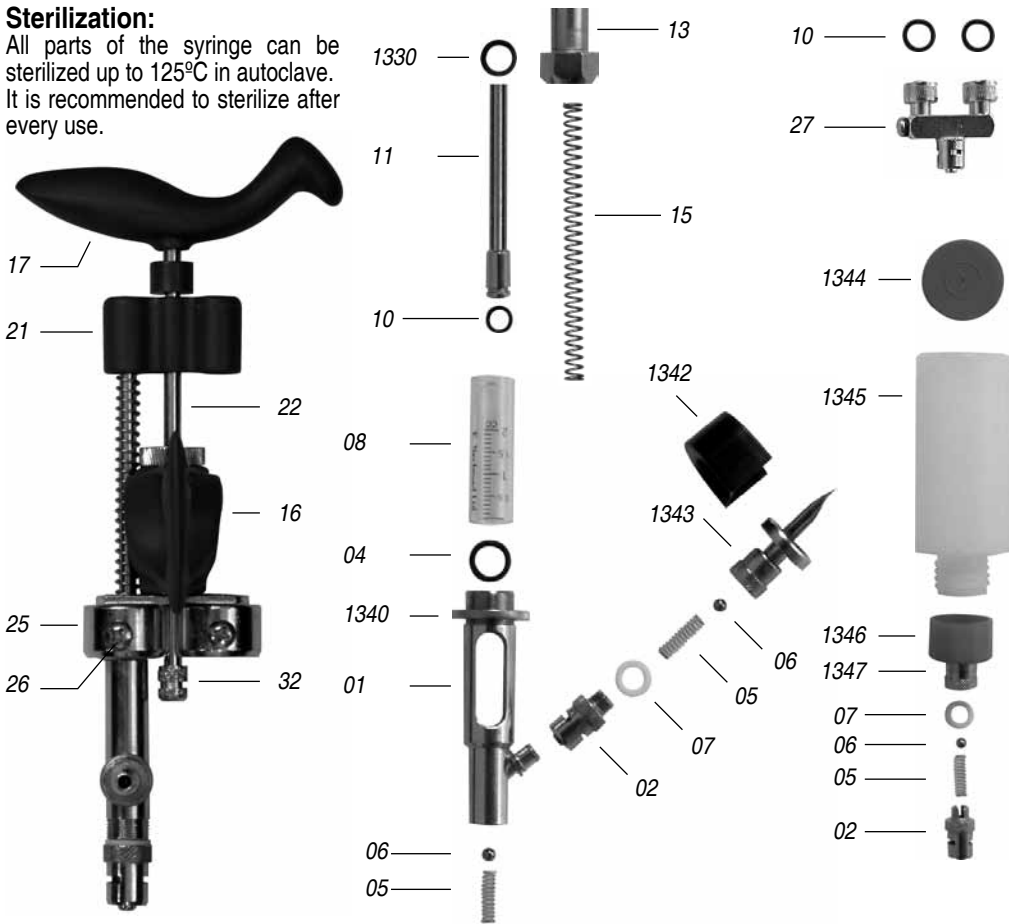
**Do not open the upper handle for cleaning**

# ThaMa 214

## Automatic Double Syringe

### Sterilization:

All parts of the syringe can be sterilized up to 125°C in autoclave. It is recommended to sterilize after every use.



- 214-01 – Syringe body
- 214-02 – Needle adaptor
- 214-04 – Cylinder washer
- 214-05 – Valve spring
- 214-06 – Valve stainless ball
- 214-07 – Valve plastic washer
- 214-10 – Piston O-Ring
- 214-08 – Glass cylinder
- 214-11 – Piston shaft
- 214-13 – Body cover
- 1340 – Body screw nut
- 214-32 – Screw nut M4
- 214-15 – Handle spring

- 214-16 – Finger grip Handle
- 214-17 – Upper Handle
- 214-21 – Piston shove
- 214-22 – Shast shove
- 214-25 – Syringe housing
- 214-26 – Banding screw
- 214-27 – Bridge 2 to 1
- 214-28 – O-Ring

- 214-71 – Valve fiber washer
- 1330 – Fiber washer
- 1342 – Plastic clip
- 1343 – Vial holder - body
- 1344 – Rear feeding stopper
- 1345 – Feeding bottle - body
- 1346 – Front feeding plug
- 1347 – Feeding valve housing
- 214-99 – Spare parts kit  
(Include: 216-05\*2,  
216-06\*2, 216-07\*2,  
216-30\*1, 216-04\*1,  
216-31\*1, 216-10\*2,  
216-26\*1, 216-32\*1)